

MODEL
R18is SUBWOOFER

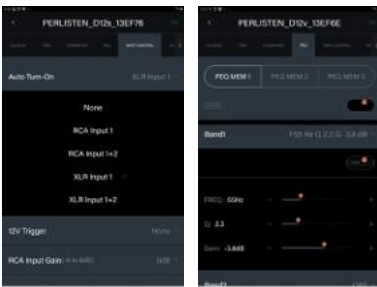


TECHNICAL SPECIFICATIONS

APP Control - iOS and Android



Advanced APP User interface - customizable turn-on controls and input selection, multiple PEQ's with presets.



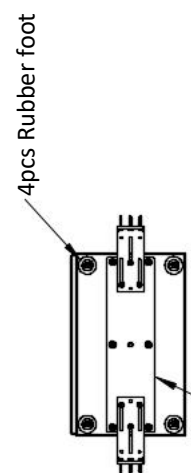
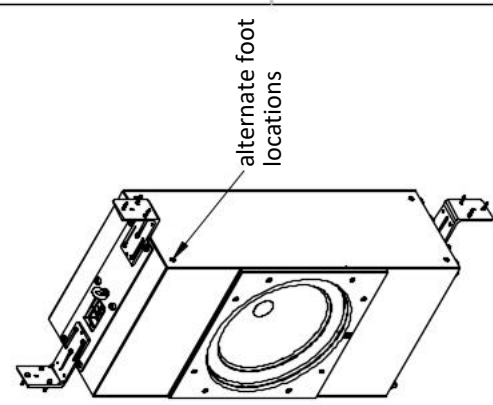
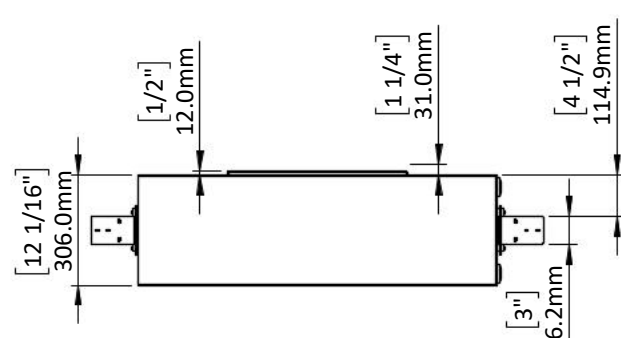
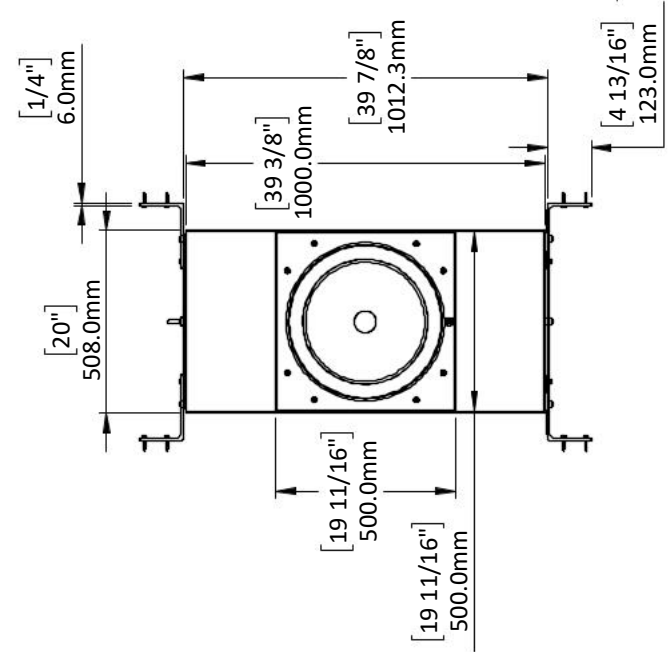
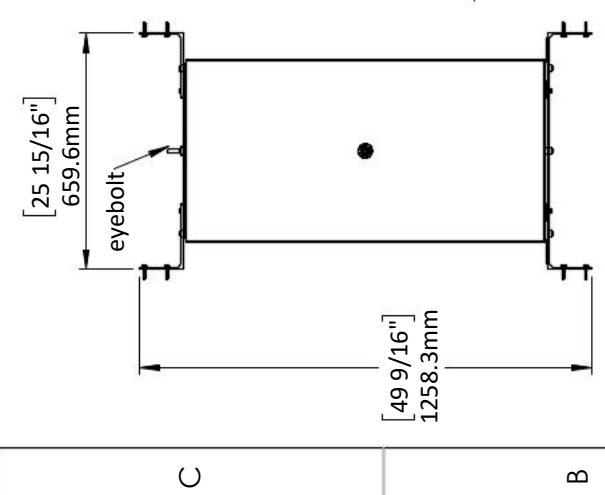
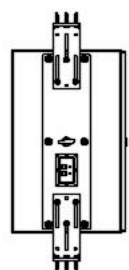
Alignment	Acoustic suspension
Amplifier	1500W rms
Display Interface	2.8" LCD color touchscreen
App	iOS and Android
Processor	32-bit ARM Cortex M4, double precision floating point math
DSP Engine	Ti DSP 48-bit data paths
Driver compliment	460mm (18"), Glass fiber diaphragm +/-31.9mm linear excursion
Reference sensitivity	TBD dB /150mV/ 1.0m
Frequency Response	THX EQ 20-280Hz (-6dB) / 16-345Hz (-10dB) Boost (Large Room) EQ 16-280Hz (-6dB) / 14-345Hz (-10dB) Cut (Small Room) EQ 25-280Hz (-6dB) / 19-345Hz (-10dB)
Inputs	(1) Balanced XLR (1) Unbalanced RCA
Outputs	(1) Balanced XLR unbuffered (1) Unbalanced RCA unbuffered (1) Digital AES/2
Parametric EQ	10-Band PEQ with 3 user presets
Low Pass filter	bypass, 30-160Hz, slope 6,12,18,24dB/oct
Phase	variable 0-270°
Polarity	normal / inverted
Configurable Auto turn-on and 12v Trigger	XLR, RCA
Subwoofer Dimensions overall (HxWxD) *see architectural drawing	1000.0 x 508.0 x 306.0mm (without brackets) 39.3 x 20.0 x 12.1"
Amplifier Dimensions overall (HxWxD) *see architectural drawing	89.0 x 429.2 x 322.4mm 3.5 x 16.9 x 12.7"
Weight	NW subwoofer 68.9 kg (151.6 lbs) NW amplifier 6.1 kg (13.4 lbs) GW packaged 96.4 kg (212.1 lbs)
Available Finishes	matte black

DESCRIPTION

R18is - Increased power, excursion and subsonic capability over its brother R18s. Designed specifically for in-wall applications. We have incorporated a proprietary, versatile vibration isolation mounting solution - In-Room, In-Wall or On-Wall, we have thought about all applications as well as creating a superb solution for Waveforming. Driven by our DSP1500A 1.5kW amplifier and custom DSP, now with the addition of a digital input. Housed in a hybrid aluminum/steel chassis and front facing 2.8" color touchscreen, the amp can be conveniently located on display in-room or hidden away in a separate room with other rack mounted components.

1 2 3 4

REV. NO.		DESCRIPTION	DATE
1		initial drawing	20-Dec-2024
2		mitg bracket max span	3/26/2025



vibration isolation

PERLISTEN
principals building experience

NAME: _____ DATE: 3/26/2025

TITLE: Sheet1

SIZE: **A** DWG. NO.: **R18is_Architectural** REV: **2**

SCALE: 1:20 SHEET 1 OF 1

PROPRIETARY AND CONFIDENTIAL
 THE INFORMATION CONTAINED IN THIS DRAWING IS THE SOLE PROPERTY OF PERLISTEN AUDIO, LLC. ANY REPRODUCTION IN PART OR AS A WHOLE WITHOUT THE WRITTEN PERMISSION OF PERLISTEN AUDIO, LLC IS PROHIBITED.
 DIMENSIONS ARE IN MILLIMETERS
 DO NOT SCALE DRAWING

D C B A

1

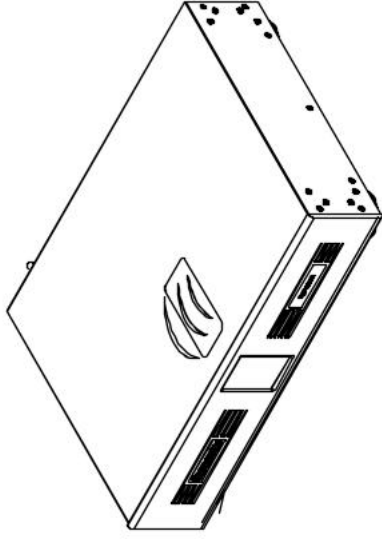
2

3

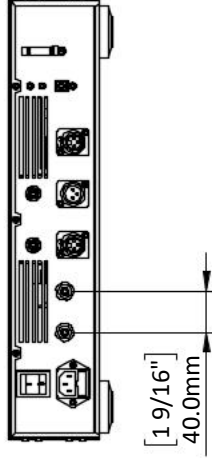
4

REVISIONS		
REV.	DESCRIPTION	DATE
1	initial drawing	26-Mar-2025

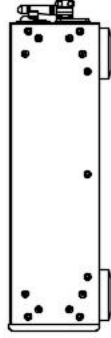
D



C



B

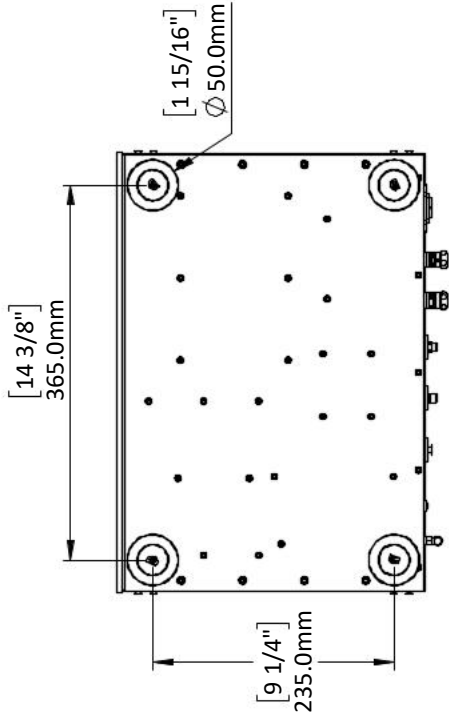
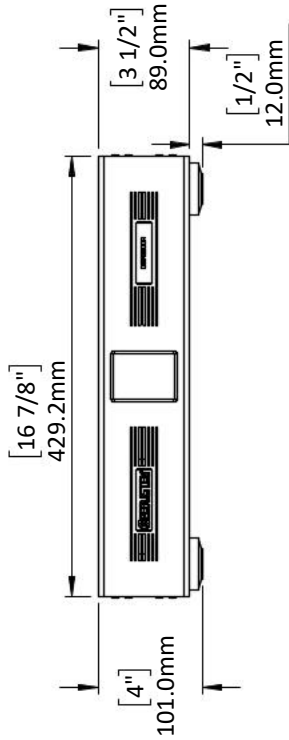
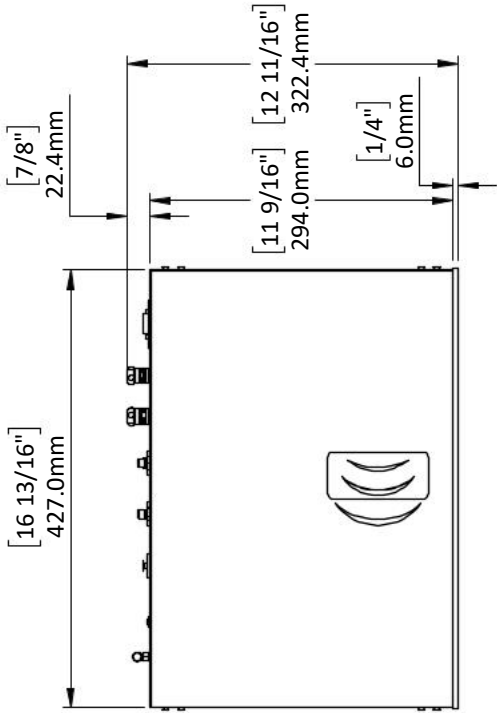


A

Notes:

NAME	DATE	 <small>perlisten listening experience</small>
	3/26/2025	
TITLE:		STANDARD MOUNTING
SIZE	DWG. NO.	REV
A	DSP1500A & DSP3000A_Architectural	1
SCALE: 1:1		SHEET 1 OF 2

PROPRIETARY AND CONFIDENTIAL
 THE INFORMATION CONTAINED IN THIS DRAWING IS THE SOLE PROPERTY OF PERLISTEN AUDIO, LLC. ANY REPRODUCTION IN PART OR AS A WHOLE WITHOUT THE WRITTEN PERMISSION OF PERLISTEN AUDIO, LLC IS PROHIBITED.
DIMENSIONS ARE IN MILLIMETERS
 DO NOT SCALE DRAWING



D

C

B

A

1

2

3

1

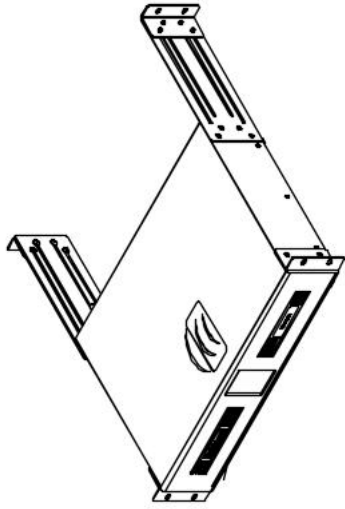
2

3

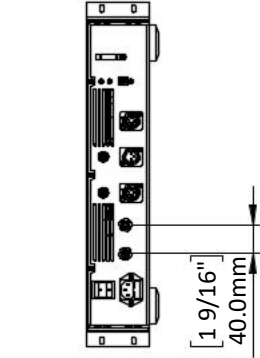
4

REVISIONS		
REV.	DESCRIPTION	DATE
1	initial drawing	26-Mar-2025

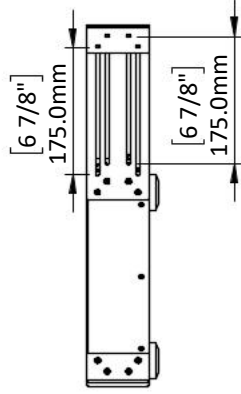
D



C



B

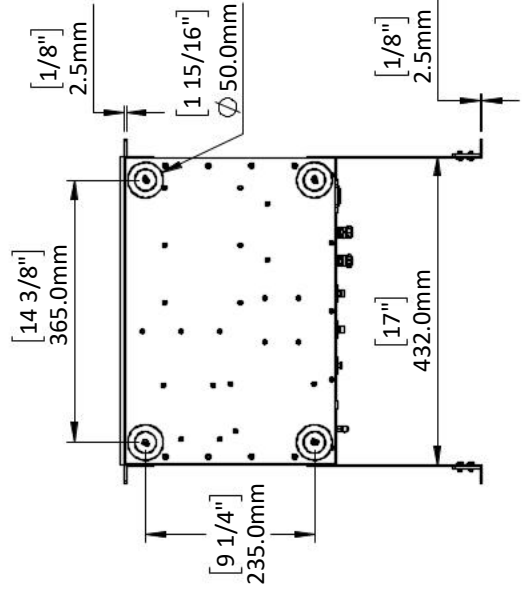
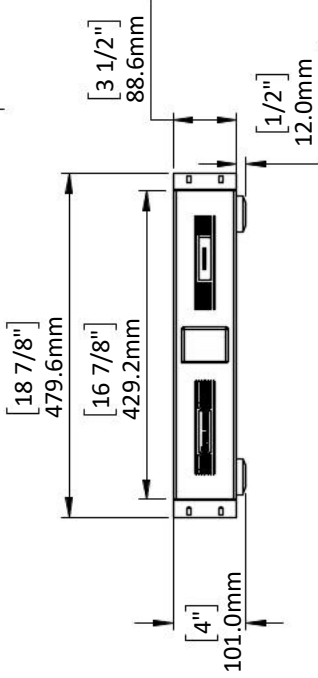
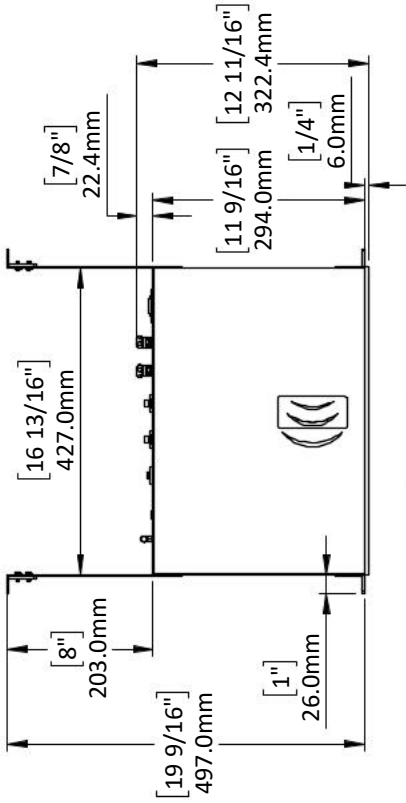


A

Notes:

NAME	DATE	 <small>perlisten audio llc</small>
	3/26/2025	
TITLE:		RACK MOUNTING
SIZE	DWG. NO.	REV
A	DSP1500A & DSP3000A_Architectural	1
SCALE: 1:10		SHEET 2 OF 2

PROPRIETARY AND CONFIDENTIAL
 THE INFORMATION CONTAINED IN THIS DRAWING IS THE SOLE PROPERTY OF PERLISTEN AUDIO, LLC. ANY REPRODUCTION IN PART OR AS A WHOLE WITHOUT THE WRITTEN PERMISSION OF PERLISTEN AUDIO, LLC IS PROHIBITED.
DIMENSIONS ARE IN MILLIMETERS
 DO NOT SCALE DRAWING



D

C

B

A

1

2

3

4