

MODEL

D3is SUBWOOFER

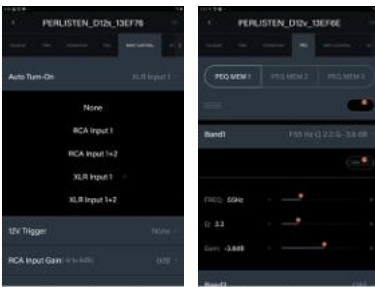


TECHNICAL SPECIFICATIONS

APP Control - iOS and Android



Advanced APP User interface - customizable turn-on controls and input selection, multiple PEQ's with presets.



Alignment	Acoustic suspension
Amplifier	1500W rms
Display Interface	2.8" LCD color touchscreen
App	iOS and Android
Processor	32-bit ARM Cortex M4, double precision floating point math
DSP Engine	Ti DSP 48-bit data paths
Driver compliment	(3)215mm (8.5"), Carbon fiber diaphragm +/-16.9mm linear excursion
Reference sensitivity	89.5 dB /150mV/ 1.0m
Frequency Response	THX EQ 20-290Hz (-6dB) / 16-350Hz (-10dB) Boost (Large Room) EQ 17-290Hz (-6dB) / 15-350Hz (-10dB) Cut (Small Room) EQ 31-290Hz (-6dB) / 23-350Hz (-10dB)
Inputs	(1) Balanced XLR (1) Unbalanced RCA
Outputs	(1) Balanced XLR unbuffered (1) Unbalanced RCA unbuffered (1) Digital AES/2
Parametric EQ	10-Band PEQ with 3 user presets
Low Pass filter	bypass, 30-160Hz, slope 6,12,18,24dB/oct
Phase	variable 0-270°
Polarity	normal / inverted
Configurable Auto turn-on and 12v Trigger	XLR, RCA
Subwoofer Dimensions overall (HxWxD)	920.8 x 355.6 x 146.1mm (without brackets) 36.3 x 14.0 x 5.8"
Amplifier Dimensions overall (HxWxD)	89.0 x 429.2 x 322.4mm 3.5 x 16.9 x 12.7"
Weight	NW subwoofer 39.7 kg (87.3 lbs) NW amplifier 6.1 kg (13.4 lbs) GW packaged 53.4 kg (117.5 lbs)
Available Finishes	Matte black

DESCRIPTION

D3is - Designed for applications where space is a premium. The D3is works equally well mounted in-wall or on-wall. Proprietary isolation mounts and brackets are designed into the enclosure to reduce overall vibration and noise from transmitting to the adjacent wall. The sub was designed using proprietary nonlinear modeling techniques that allow us to simulate and then optimize for real world driver performance - free air and in box. Further refinement is done with the aid of our Klippel laser measurement system to dial things in. Powered by our 1500W amplifier now in its own chassis, utilizing a larger 2.8" LCD touchscreen display. Rack mounting hardware is included. Common to all Perlisten subs, all functions and safeties are controlled by a 48-bit data path DSP and 32-bit ARM M4 Cortex processor, able to react in microseconds ensuring sonic accuracy.

1

2

3

4

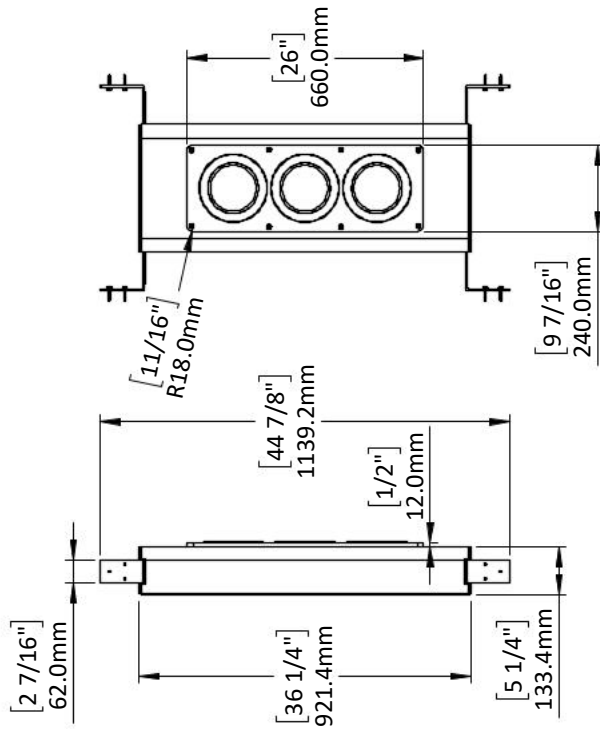
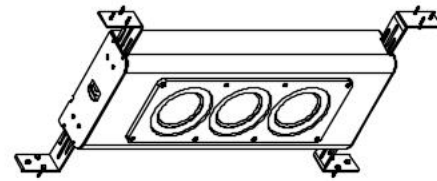
REVISIONS		DATE
REV.	DESCRIPTION	
1	initial drawing	20-Dec-2024

D

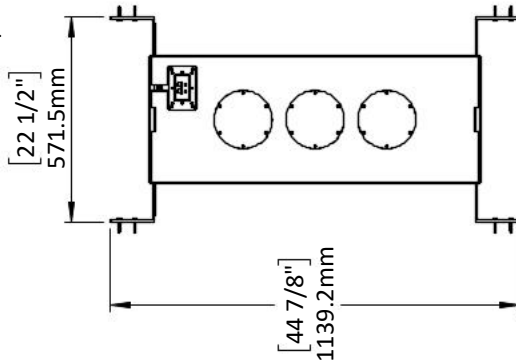
C

B

A



djustable brackets for
16 - 24" O.C. Stud spacing



D

C

B

A

Notes:



NAME	DATE
	12/20/2024
TITLE: IN-WALL	

PROPRIETARY AND CONFIDENTIAL
THE INFORMATION CONTAINED IN THIS
DRAWING IS THE SOLE PROPERTY OF
PERLISTEN AUDIO, LLC. ANY
REPRODUCTION IN PART OR AS A
WHOLE WITHOUT THE WRITTEN
PERMISSION OF PERLISTEN AUDIO, LLC IS
PROHIBITED.
DIMENSIONS ARE IN MILLIMETERS
DO NOT SCALE DRAWING

SIZE	DWG. NO.	REV
A	Perlisten D3is_Architectural	1
SCALE: 1:20		SHEET 1 OF 2

1

2

3

4

1

2

3

4

D

C

B

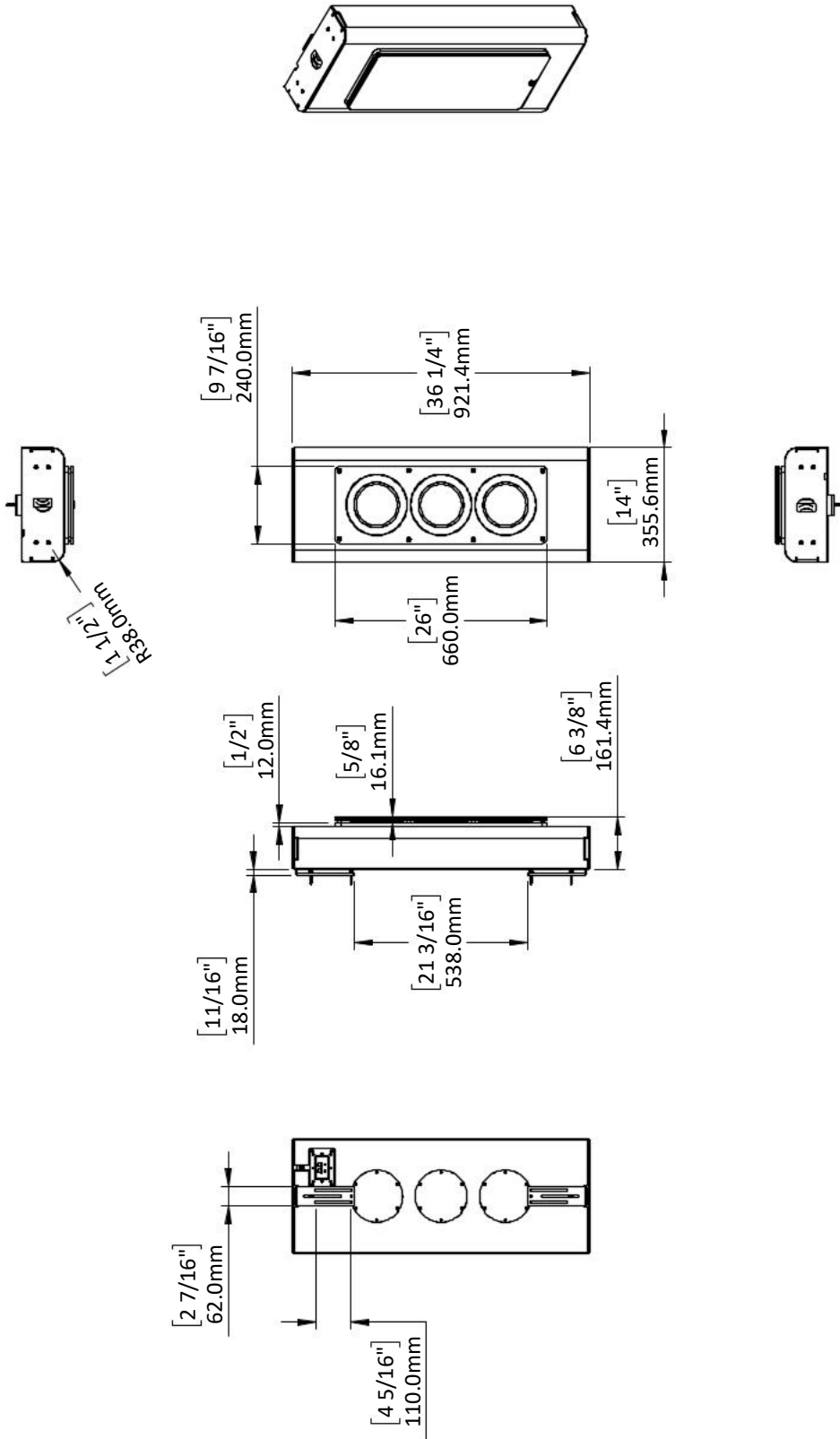
A

D

C

B

A



NAME	DATE	PERLISTEN <small>principals listening experience</small>
	12/20/2024	
TITLE:		ON-WALL
SIZE	DWG. NO.	REV
A	Perlisten D3is_Architectural	1
SCALE: 1:20		SHEET 2 OF 2

PROPRIETARY AND CONFIDENTIAL
 THE INFORMATION CONTAINED IN THIS DRAWING IS THE SOLE PROPERTY OF PERLISTEN AUDIO, LLC. ANY REPRODUCTION IN PART OR AS A WHOLE WITHOUT THE WRITTEN PERMISSION OF PERLISTEN AUDIO, LLC IS PROHIBITED.
 DIMENSIONS ARE IN MILLIMETERS
 DO NOT SCALE DRAWING

Notes:

1

2

3

4

1

2

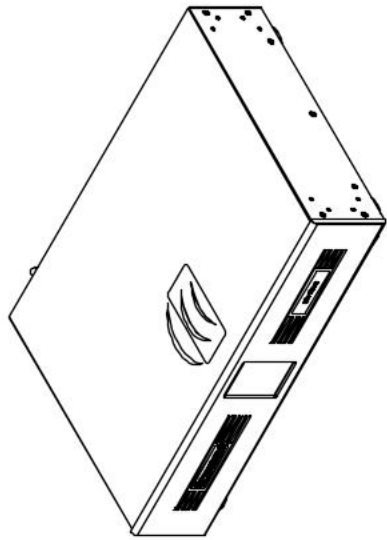
3

4

REVISIONS		
REV.	DESCRIPTION	DATE
1	INITIAL DRAWING	25-MAR-2025

D

D

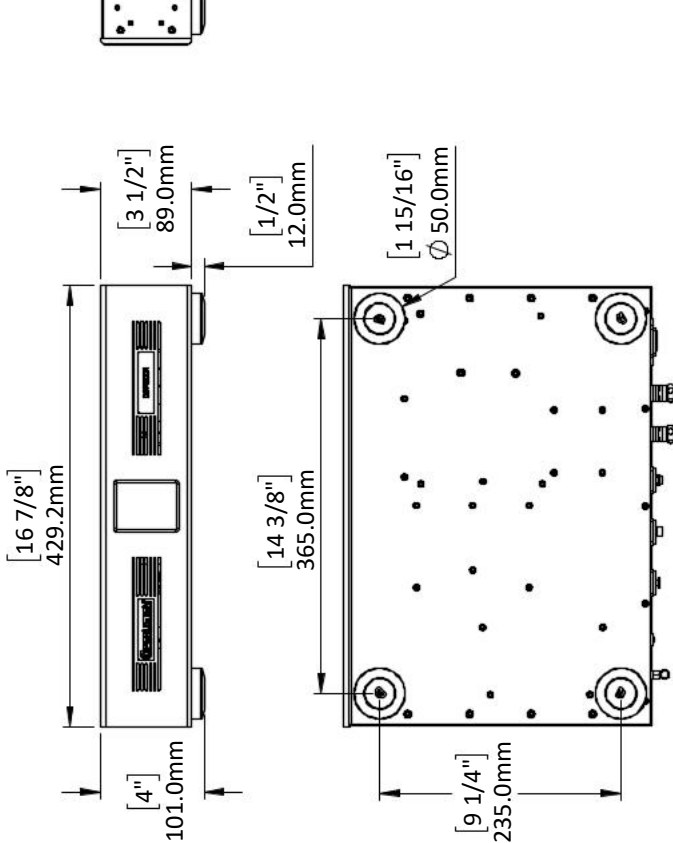


C

C

B

B



Notes:

A

A



NAME	DATE
	3/25/2025

TITLE:

STANDARD MOUNTING

REV

1

SIZE DWG. NO. **A DSP1500A_ARCHITECTURAL**

SCALE: 1:1

SHEET 1 OF 2

PROPRIETARY AND CONFIDENTIAL
 THE INFORMATION CONTAINED IN THIS DRAWING IS THE SOLE PROPERTY OF PERLISTEN AUDIO, LLC. ANY REPRODUCTION IN PART OR AS A WHOLE WITHOUT THE WRITTEN PERMISSION OF PERLISTEN AUDIO, LLC IS PROHIBITED.

DIMENSIONS ARE IN MILLIMETERS
 DO NOT SCALE DRAWING

1

2

3

4

1

2

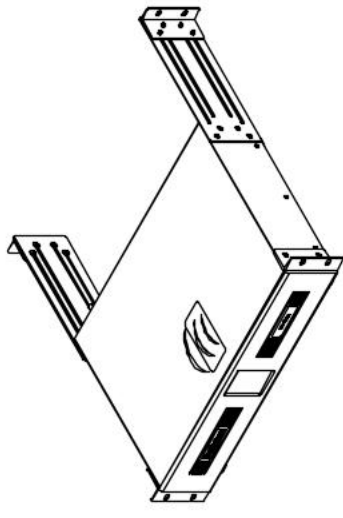
3

4

REVISIONS		
REV.	DESCRIPTION	DATE
1	INITIAL DRAWING	25-MAR-2025

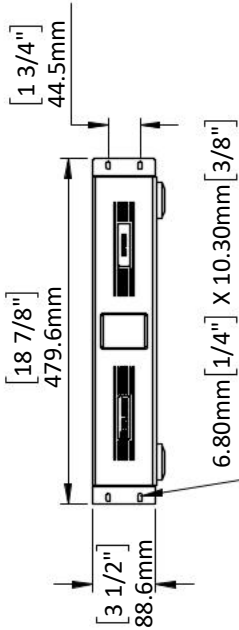
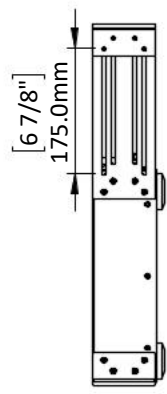
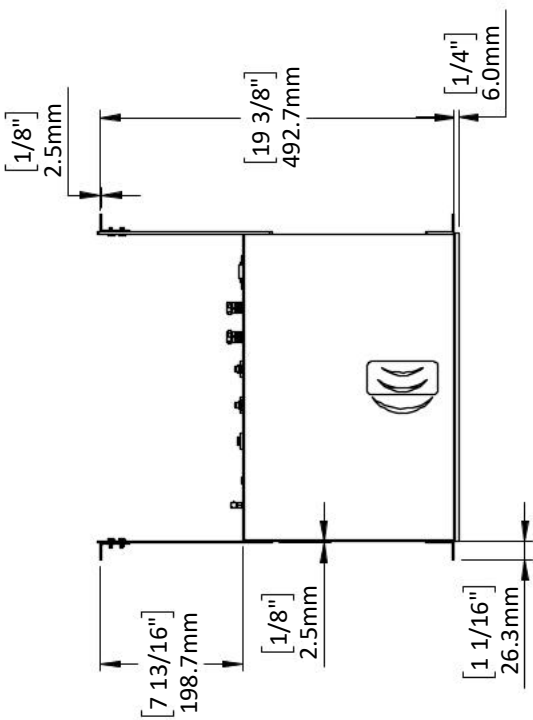
D

D



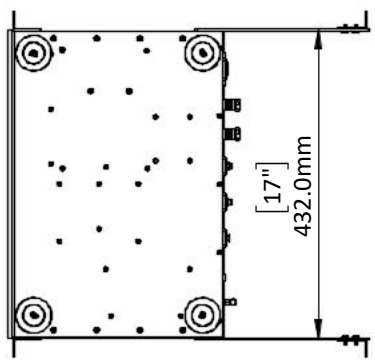
C

C



B

B



A

A

Notes:

PERLISTEN
perlisten | 40 years of audio engineering experience

NAME: _____ DATE: 3/25/2025

TITLE: RACK MOUNTING

SIZE: A DWG. NO. **DSP1500A_ARCHITECTURAL** REV **1**

SCALE: 1:10 SHEET 2 OF 2

PROPRIETARY AND CONFIDENTIAL
 THE INFORMATION CONTAINED IN THIS DRAWING IS THE SOLE PROPERTY OF PERLISTEN AUDIO, LLC. ANY REPRODUCTION IN PART OR AS A WHOLE WITHOUT THE WRITTEN PERMISSION OF PERLISTEN AUDIO, LLC IS PROHIBITED.
 DIMENSIONS ARE IN MILLIMETERS
 DO NOT SCALE DRAWING

1

2

3

4